

SUPER MATCH

DC INVERTER MULTI-SPLIT SYSTEMS



Haier
Air Conditioning





Haier Brand Story

The Internet era is a diverse and unconventional time, where "one size fits all" products and solutions simply are not enough. Customers want to be treated as individuals and respected for who they are.

Everyone wants their unique lifestyle acknowledged. That is why Haier listens closely to you in order to gain a genuine understanding of what is going on in your life and what is on your mind so each of you can get the smart home experience you deserve: be it simple, sophisticated, organized or enjoyable.

As a worldwide industry leader, Haier innovates beyond products and solutions and turns the organization into a wholly connected platform. In doing so, internal and external resources are connected quickly and easily. We believe only by doing so, we can best meet our consumers' expectations in this rapidly evolving world.

Be part of the Haier Network. Create new possibilities.

Research and Development Centre

Haier Air Conditioning R&D Centre, located in Qingdao, China, completed in December 2013, covers 20,000 m². It contains more than 120 laboratories, including testing laboratories, key part research laboratories and all-weather user experience simulation laboratories. The R&D centre also has one of the world's tallest towers for testing long refrigerant piping tests and refrigerant lift capabilities to 110m tall.

Research in heating and cooling technology covers the fields of user comfort evaluation, aerodynamics, acoustics, EMC (Electro-Magnetic Compatibility) and mechanical etc. The labs can carry out more than 600 international tests as per ISO, IEC, EN, CISPR and ANSI etc. to meet the requirements of Europe, Asia, America, Australia, Middle East and other 100 countries and regions.

The user experience centre gains recognition by domestic well-known certification and testing institutions. At Haier, we believe that the best air conditioning is one that builds on uncompromising quality control worldwide, developing and manufacturing exceptional products and delivering them to customers everywhere.



Haier AC Milestones

1984
Haier group was founded in Qingdao, China

1985
Developing China's first split air conditioner

1993
Developing China's first inverter air conditioner

1995
Launching China's first dual split inverter conditioner
Starting to export air conditioners to Europe market

1996
Launching full range light commercial air conditioning solution

1998
Launching VRF system
Developing the first digital DC inverter air conditioner in China

1999
Starting to export air conditioners to USA

2001
Building up industry park in Pakistan and catching No.1 market share in 2005

2005
Releasing R410a DC inverter X-multi system

2006
Achieving IF design award, one of 10 creative products in the world

Releasing R410a centrifugal chiller with maglev technology and R410a DC inverter VRF system.

2007

Achieving the bid of 20 projects of Beijing Olympic Games

2009

Achieving red dot design award

2010

Introducing the more advanced Freon-free DC inverter air conditioner and magnetically levitated VRF system with high energy efficiency

2011

Launching full range of SUPER MATCH solutions inverter multi systems

2012

Establishing Haier Europe HOME SOLUTION platform in France to accelerate the marketing of Heat pump / Solar Solution.

2013

Launching Emperor series and Aero series floor standing models which lead the innovation in design

2014

Establishing AC R&D center to enhance the R&D ability with more focus on users' requirement

2015

Launching MRV IV full DC INV. technology Max. 3 modular up to 72HP globally

2016

Launching Super Match Smart Power Series, high performance series

2017

Launching MRV IV in Australia market



Home



Office



Shop



Hotel



CONTENTS

CONTENTS

OUTDOOR UNITS	9
HI WALL (BREEZA)	10
CONSOLE	11
CASSETTE	13
SLIM LOW STATIC DUCT	15
MEDIUM STATIC DUCT	16
MATCHING TABLE	17
DRAWINGS	18
CONTROL SYSTEMS	22
CENTRAL CONTROL SYSTEMS	23



FEATURES & BENEFITS



Easy Wiring

Wiring solution: Parallel connection, easy wiring.

Note: Red wire=power wire; Blue wire=communication wire; Black wire=pipe.



Service Screen

In start up & maintenance the service screen will show a failure code to understand and repair problem easier.

New maintenance panel is fixed on the side panel which the installer can remove, by removal of only one screw, to allow checking of the compressor running frequency and error code from the double 8 screen.

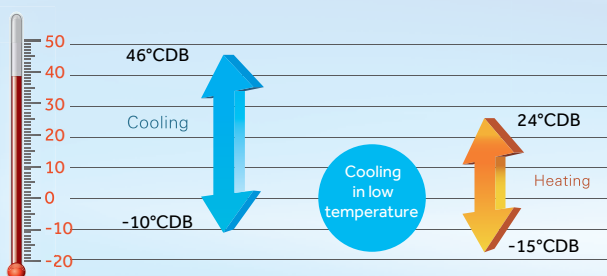


Wider Range of Operation

Wider range operation of outside temperature

Cooling: from -10°C to 46°C

Heating: from -15°C to 24°C



Wider Voltage Range

Equipped with various DC components, the new Multi system is applicable both for 50Hz and 60Hz electricity condition. Working voltage: 208V~240V

The system is more tolerant to unstable voltage conditions.



OUTDOOR UNITS

3U19FS2ERA
180° sine wave
DC inverter



4U30HS2ERA
180° sine wave
DC inverter



3U24GS2ERA
180° sine wave
DC inverter



5U34HS2ERA
180° sine wave
DC inverter



Model/outdoor unit				3U19FS2ERA	3U24GS2ERA	4U30HS2ERA	5U34HS2ERA
Indoor unit combinations				3*AS07NS3HRA	3*AS09NS3HRA	3*AS07NS3HRA+ 1*AS09NS3HRA	4*AS09NS3HRA
Maximum connected quantity of indoor units				3	3	4	5
Nominal Performance Data	Capacity	Cooling	kW rated (min-max)	5.4 (1.5 - 7.0)	6.9 (1.5 - 8.2)	8.2 (1.5 - 9.8)	9.1 (1.5 - 11.0)
		Heating	kW rated (min-max)	6.2 (1.8 - 8.1)	7.0 (1.8 - 9.0)	9.6 (1.8 - 10.5)	10.2 (1.8 - 11.5)
	Rated power input	Cooling	kW rated (min-max)	1.46 (0.5 - 2.6)	1.92 (0.55 - 3.1)	2.25 (0.55 - 3.8)	2.6 (0.55 - 4)
		Heating	kW rated (min-max)	1.65 (0.5 - 2.6)	1.87 (0.55 - 3.1)	2.55 (0.55 - 3.8)	2.83 (0.55 - 4)
	EER/COP			3.7/3.75	3.6/3.74	3.65/3.76	3.5/3.6
Outdoor unit							
Electrical	Power supply		Ph/V/Hz	1/220-240/50/60			
	Running Current	Cooling	Amp	6.3	8.4	9.8	11.3
		Heating	Amp	7.2	8.1	11.1	12.3
	Maximum Current		Amp	11.3	13.5	16.5	17.4
Performance	Air flow		m ³ /h	2000	2500	3500	4000
			l/s	555	690	970	1110
	Sound power level (H/M/L)		dB(A)	65	67	70	70
	Sound pressure level (H/M/L)		dB(A)	52	54	56	58
Installation	External dimensions (W/D/H)		mm	886/288/688	940/345/730	948/340/840	
	Shipping dimensions (W/D/H)		mm	992/408/760	1005/423/815	1040/440/1000	
	Net/Shipping weight		kg	51/ 53	53/56	76/87	77/88
	Compressor type			Twin Rotary			
	Refrigerant type			R410A			
	Refrigerant liquid pipe		mm	3×6.35	3×6.35	4×6.35	5×6.35
	Refrigerant gas pipe		mm	3×9.52	3×9.52	3×9.52+1×12.7	4×9.52+1×12.7
	Total pipe length (Max)		m	50	60	70	80
	Single pipe length (Max)		m	25	25	25	25
	Max height between I.U. & O.U		m	15	15	15	15
	Max height between I.U.& I.U		m	5	5	5	5
	Refrigerant pre-charge		kg	1.9	1.9	3.2	3.4
	Pre-charge length		m	30	30	40	40
	Additional refrigerant charge		g/m	20	20	20	20
Working temp.	Cooling(Min-Max)		°C	-10 to +46			
	Heating(Min-Max)		°C	-15 to +24			

HI WALL (BREEZA)



YR-HG

Breeza range

Super quiet 21 dB(A)

USB Wi-Fi Control - Optional

Evaporator self cleaning



Model/indoor unit			AS07NS3HRA	AS09NS3HRA	AS12NS3HRA	AS15NS3HRA	AS18NS3HRA	AS24NS3HRA
	Nominal Cooling	kW nominal (min-max)	2.0	2.7 (0.80-3.40)	3.6 (1.00-4.20)	4.4 (1.3-5.0)	5.2 (1.30-6.80)	7.0 (2.20-8.50)
	Nominal Heating	kW nominal (min-max)	2.3	2.8 (1.0-4.6)	3.7 (1.1-5.4)	5.4 (1.4-6.0)	5.8 (1.4-6.9)	7.5 (2.4-9.8)
Electrical	Power supply	Ph/V/Hz	1/230/50	1/230/50	1/230/50	1/230/50	1/230/50	1/230/50
Performance	Air flow(H)	m ³ /h	600	600	650	700	900	1200
		l/s	165	165	180	190	250	330
	Sound power level cooling (Hi)	dB(A)	52	52	54	55	57	62
	Sound pressure cool (H/M/L/S)	dB(A)	39/34/27/21	39/34/27/21	40/35/31/22	44/40/35/28	47/43/37/30	47/43/37/35
Installation	External dimensions (WxDxH)	mm	855x204x280			900x210x310	997x235x322	1115x248x336
	Shipping dimensions (WxDxH)	mm	954x279x355			991x313x399	1085x329x403	1205x341x416
	Net/Shipping weight	kg	10/12.2			11.5/14	13/16	16/19.6
	Refrigerant liquid pipe	mm	6.35					9.52
	Refrigerant gas pipe	mm	9.52				12.7	15.88
	Controller	Standard	YR-HG					
	Wi-Fi	KZW-W002						

Controls

Standard



YR-HG

Optional



Wi-Fi

For comprehensive controls features, see controls page

CONSOLE



YR-HD



Floor airflow (heating)
Compact design
Evaporator self cleaning



Model/indoor unit			AF09AB1HRA	AF12AB1HRA
Capacity	Nominal Cooling	kW nominal (min-max)	2.5 (1.3-3.0)	3.5 (1.4-4.0)
	Nominal Heating	kW nominal (min-max)	2.8 (1.4-3.2)	3.80 (1.4-4.1)
Electrical	Power supply	Ph/V/Hz	1/230/50	
Performance	Air flow(H)	m3/h	450	500
		l/s	125	135
	Sound power level cooling (Hi)	dB(A)	53	54
	Sound pressure level cooling (Hi/Mid/Lo/So)	dB(A)	39/35/30/26	40/36/32/28
Installation	External dimensions(W/D/H)	mm	720x253x640	
	Shipping dimensions(W/D/H)	mm	784x305x719	
	Net/Shipping weight	kg	17/19.5	17.5/20
	Refrigerant liquid pipe	mm	6.35	
	Refrigerant gas pipe	mm	9.52	
	Controller	Standard		YR-HD
Wi-Fi			/	

Controls

Standard



YR-HD

For comprehensive controls features, see controls page

FEATURES & BENEFITS

Design Flexibility

Compact Size

The model AB09 AB12 & AB18 dimension is 570 x 570mm for easy installation into a 600mm ceiling grid



Built-in high head drain pump

Condensed water lift up to 750mm, which will allow for a flexible installation



Branch Air Outlet

It is possible to use one or two branch outlets for further air distribution (optional)



Quiet Operation

The fan blade adopts the design of an irregular helix, to strive for the lowest sound level.



Fresh Air Inlet

Pre-set fresh air inlet can introduce the outside fresh air into the room, to greatly improve the indoor air quality.



Easy Access to Electrical Box

The electrical box is located inside the unit, alleviating the requirement for a ceiling access panel to be fitted.



CASSETTE



YR-E17



DC fan motor
700x700mm new panel design
Pre-set fresh air inlet
Built-in high head drain pump

Air outlet connection
Pre-set fresh air inlet
Built-in high head drain pump



Model/indoor unit			AB09CS2ERA	AB12CS2ERA(S)	AB18CS2ERA(S)	AB24ES1ERA(S)
Capacity Electrical	Nominal Cooling	kW nominal (min-max)	2.6	3.50 (0.9-4.5)	5 (1.8-5.8)	7.1 (2-7.3)
	Nominal Heating	kW nominal (min-max)	2.9	3.7 (1-4.8)	5.2 (2-6.5)	7.1 (2.5-8)
	Power supply	Ph/V/Hz	1/220-230/50/60	1/220-230/50/60	1/220-230/50/60	1/220-230/50/60
Performance	Air flow(H/M/L)	m ³ /h	700/620/520/450/350	700/620/520/450/350	780/700/620/500/400	1300/1100/870
		l/s	194/172/144/125/97	194/172/144/125/97	216/194/172/138/111	361/305/241
	Sound power level(H/M/L)	dB(A)	52	52	57	59/57/52
	Sound pressure level(H/M/L)	dB(A)	42/40/36/32/28	42/40/36/32/28	44/42/37/35/31	46/44/39
Installation	External dimensions(W/D/H)	mm	570/570/260	570/570/260	570/570/260	840/840/240
	Shipping dimensions(W/D/H)	mm	718/680/380	718/680/380	718/680/380	930/930/330
	Net/Shipping weight	kg	17/20	18.5/22	18.5/22	25.5/30.5
	Refrigerant liquid pipe	mm	6.35	6.35	6.35	9.52
	Refrigerant gas pipe	mm	9.52	9.52	12.7	15.88
	Controller	Standard		YR-E17	YR-E17	YR-E17
Optional		YR-E16a / YR-HD				
Wi-Fi				KZW-W001		KZW-W001 & YCJ-A002
Panel	Model			PB-700IB		PB-950JB
	External dimensions(W/D/H)	mm		700/700/60		950/950/60
	Shipping dimensions(W/D/H)	mm		740/750/115		985/985/115
	Net/Shipping weight	kg		2.8/4.8		6.0/7.5

Controls

Standard



YR-E17

Optional



YR-HD



YR-E16a



Wi-Fi

AB24ES1ERA(S) requires YCJ-A002 for Wi-Fi connection

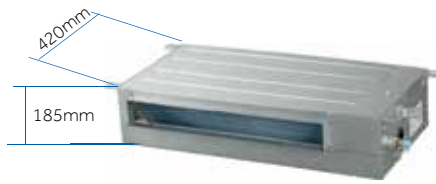
For comprehensive controls features, see controls page

FEATURES & BENEFITS

Design Flexibility

Slim Low Static Duct

The height of the slim low static duct is 185mm only, which is better than industry allowing for the slim-mest ceiling cavity.



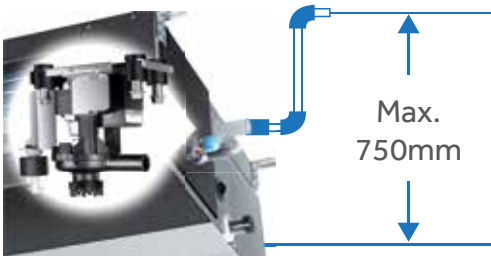
Medium Static Duct

The height of the medium static ducted indoor unit is 250mm only, for installation flexibility.



Built-in high head drain pump

Condensed water lift up to 750mm, which will allow for a flexible installation



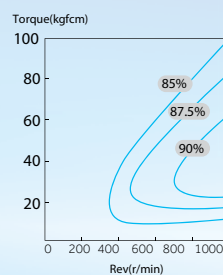
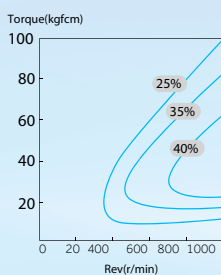
Left or Right Drain Outlet

Drain direction can be left or right according to the layout.



DC Fan Motor

Haier adopts latest DC technology. As a general rule a DC motor uses less energy when compared to AC motor. An added benefit is easy setting of the static pressure via the remote controller.



Return air choices

Friendly design: Rear or bottom air return is available by removing a few screws and relocating a panel.



SLIM LOW STATIC DUCT



YR-E17



Shown fitted with new optional 3D air flow air panel

- DC fan motor
- Super slim design, only 185mm
- Built-in high head drain pump
- Rear or bottom air return



Model/indoor unit drain pump included			AD09SS1ERA(N)(P)	AD12SS1ERA(N)(P)	AD18SS1ERA(N)(P)	AD24SS1ERA(N)(P)
Capacity	Nominal Cooling	kW nominal (min-max)	2.7	3.50 (0.9-4.5)	5 (1.8-6)	7.1 (2-7.6)
	Nominal Heating	kW nominal (min-max)	2.8	4.00(1-4.8)	5.5(2-6.2)	7.1(3-8.3)
Electrical	Power supply	Ph/V/Hz	1/220-230/50/60	1/220-230/50/60	1/220-230/50/60	1/220-230/50/60
Performance	Air flow(H/M/L)	m ³ /h	530/460/390	600/480/420	900/750/600	1000/850/750
		l/s	147/127/108	166/133/116	250/208/166	277/236/208
	External static pressure	Pa	0/10/20/30			
	Sound power level (H/M/L)	dB(A)	50	52	55	59
	Sound pressure level (H/M/L)	dB(A)	33/29/21	35/30/22	36/30/26	39/32/29
Installation	External dimensions(W/D/H)	mm	850/420/185	850/420/185	1170/420/185	1170/420/185
	Shipping dimensions(W/D/H)	mm	1025/525/260	1025/525/260	1365/540/270	1365/540/270
	Net/Shipping weight	kg	16/21	16/21	22/28	24/30
	Refrigerant liquid pipe	mm	6.35	6.35	6.35	9.52
	Refrigerant gas pipe	mm	9.52	9.52	12.7	15.88
	Controller	Standard	YR-E17			
	Optional	YR-E16a / YR-HD & RE02				
	Wi-Fi	KZW-W001				
Panel (optional)	Panel Model		P1B-890IA		P1B-1210IA	
	External dimensions(W/D/H)	mm	890/190/100 (outlet panel) 890/290.5/32.4 (inlet panel)		1210/190/100 (outlet panel) 1210/290.5/32.4 (inlet panel)	
	Shipping dimensions(W/D/H)	mm	938/335/220		1258/335/220	
	Net/Shipping weight	kg	4/5		5/6	

Controls

Standard



YR-E17

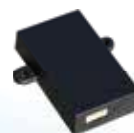
Optional



YR-HD



YR-E16a



Wi-Fi

For comprehensive controls features, see controls page

MEDIUM STATIC DUCT



YR-E17



DC fan motor
 Ultra slim design, only 250mm
 Built-in high head drain pump
 Adjust Static 10~70 Pa by wired controller
 Rear or bottom air return



Model/ Indoor unit	drain pump included		AD12MS1ERA	AD18MS1ERA	AD24MS2ERA
Capacity	Nominal Cooling	kW nominal (min-max)	3.50 (0.9-4.5)	5.0 (1.8-6)	7.1 (2.0-8.2)
	Nominal Heating	kW nominal (min-max)	4.0 (1-4.8)	5.5 (2-6.2)	7.5 (2.5-8.5)
Electrical	Power supply	Ph/V/Hz	1/220-230/50/60	1/220-230/50/60	1/220-230/50/60
Performance	Air flow(H/M/L)	m3/h	550/460/400	920/750/580	1050/1000/900
		L/s	150/125/110	255/205/160	290/275/250
	External static pressure	Pa	10/30(default)/50/70	10/30(default)/50/70	10/30(default)/50/70
	Sound power level (H/M/L)	dB(A)	46	48	58
	Sound pressure level (H/M/L)	dB(A)	36/33/29	36/33/29	42/38/35
Installation	External dimensions (W/D/H)	mm	750/720/250	1050/720/250	1050/720/250
	Shipping dimensions (W/D/H)	mm	920/820/340	1170/860/340	1170/860/340
	Net/Shipping weight	kg	22/24	28/30	30/32
	Refrigerant liquid pipe	mm	6.35	6.35	9.52
	Refrigerant gas pipe	mm	9.52	12.7	15.88
	Controller	Standard	YR-E17		
	Optional	YR-E16a / YR-HD & RE02			
	Wi-Fi	KZW-W001			

Controls

Standard



YR-E17

Optional



YR-HD



Wi-Fi



YR-E16a

For comprehensive controls features, see controls page

MATCHING TABLE

A connection guide of permitted indoor unit's associated with each multi outdoor unit

3U19FS1ERA			
Comb.	Combinations		
	Unit A	Unit B	Unit C
(1x1)	7	—	—
	9	—	—
	12	—	—
	15	—	—
	18	—	—
(1x2)	7	7	—
	7	9	—
	7	12	—
	7	15	—
	7	18	—
	9	9	—
	9	12	—
	9	15	—
	9	18	—
	12	12	—
	12	15	—
	12	18	—
(1x3)	7	7	7
	7	7	9
	7	7	12
	7	7	15
	7	7	18
	7	9	9
	7	9	12
	7	12	12
	9	9	9
	9	9	12
	9	12	12
	9	12	15

3U24GS1ERA			
Comb.	Combinations		
	Unit A	Unit B	Unit C
(1x1)	7	—	—
	9	—	—
	12	—	—
	15	—	—
	18	—	—
(1x2)	7	7	—
	7	9	—
	7	12	—
	7	15	—
	7	18	—
	9	9	—
	9	12	—
	9	15	—
	9	18	—
	12	12	—
	12	15	—
	12	18	—
(1x3)	7	7	7
	7	7	9
	7	7	12
	7	7	15
	7	7	18
	7	9	9
	7	9	12
	7	12	12
	9	9	9
	9	9	12
	9	12	12
	9	12	15
	9	12	18
	9	15	15
	9	15	18

4U30HS1ERA					
Comb.	Combinations				
	Unit A	Unit B	Unit C	Unit D	
(1x1)	7	—	—	—	
	9	—	—	—	
	12	—	—	—	
	15	—	—	—	
	18	—	—	—	
	24	—	—	—	
	(1x2)	7	24	—	—
		9	15	—	—
		9	18	—	—
		9	24	—	—
12		15	—	—	
12		18	—	—	
12		24	—	—	
15		18	—	—	
18		18	—	—	
15		24	—	—	
18		24	—	—	
24		24	—	—	
(1x3)		7	7	15	—
		7	7	18	—
		7	7	24	—
	7	9	12	—	
	7	9	15	—	
	7	9	18	—	
	7	9	24	—	
	7	12	12	—	
	7	12	15	—	
	7	12	18	—	
	7	12	24	—	
	9	9	9	—	
	9	9	12	—	
	9	9	15	—	
	9	9	18	—	
	9	9	24	—	
	9	12	12	—	
	9	12	15	—	
	9	12	18	—	
	9	12	24	—	
	12	12	12	—	
	12	12	15	—	
	12	12	18	—	
	12	12	24	—	
	12	15	18	—	
	12	18	18	—	
	(1x4)	7	7	7	7
		7	7	7	9
		7	7	7	12
		7	7	7	15
7		7	7	18	
7		7	7	24	
7		7	9	9	
7		7	9	12	
7		7	9	15	
7		7	9	18	
7		7	9	24	
7		7	12	12	
7		7	12	15	
7		7	12	18	
7		9	9	9	
7		9	9	12	
7		9	9	15	
7		9	9	18	
7		9	12	12	
7		12	12	12	
9		9	9	9	
9		9	9	12	
9		9	12	12	
9		9	12	15	
9		9	12	18	
9		12	12	12	
12		12	12	12	
12		12	12	15	

5U34HS1ERA						
Comb.	Combinations					
	Unit A	Unit B	Unit C	Unit D	Unit E	
(1x1)	7	—	—	—	—	
	9	—	—	—	—	
	12	—	—	—	—	
	15	—	—	—	—	
	18	—	—	—	—	
	24	—	—	—	—	
	(1x2)	7	18	—	—	—
		7	24	—	—	—
		9	15	—	—	—
		9	18	—	—	—
9		24	—	—	—	
9		24	—	—	—	
12		15	—	—	—	
12		18	—	—	—	
12		18	—	—	—	
12		24	—	—	—	
12		24	—	—	—	
15		18	—	—	—	
18		18	—	—	—	
18		24	—	—	—	
24		24	—	—	—	
(1x3)	7	7	12	—	—	
	7	7	15	—	—	
	7	7	18	—	—	
	7	7	24	—	—	
	7	7	24	—	—	
	7	9	9	—	—	
	7	9	12	—	—	
	7	9	15	—	—	
	7	9	18	—	—	
	7	9	24	—	—	
	7	9	24	—	—	
	7	12	12	—	—	
	7	12	15	—	—	
	7	12	18	—	—	
	7	12	24	—	—	
	9	9	9	—	—	
	9	9	12	—	—	
	9	9	15	—	—	
	9	9	18	—	—	
	9	9	24	—	—	
	9	9	24	—	—	
	9	12	12	—	—	
	9	12	15	—	—	
	9	12	18	—	—	
	9	12	24	—	—	
	12	12	12	—	—	
	12	12	15	—	—	
	12	12	18	—	—	
	12	12	24	—	—	
	12	18	15	—	—	
12	18	18	—	—		
15	18	18	—	—		
18	18	18	—	—		
(1x4)	7	7	7	7	—	
	7	7	7	9	—	
	7	7	7	12	—	
	7	7	7	15	—	
	7	7	7	18	—	
	7	7	7	24	—	
	7	7	7	24	—	
	7	7	9	9	—	
	7	7	9	12	—	
	7	7	9	15	—	
	7	7	9	18	—	
	7	7	9	24	—	
	7	7	9	24	—	
	7	7	12	12	—	
	7	7	12	15	—	
	7	7	12	18	—	
	7	7	12	18	—	
	7	9	9	9	—	
	7	9	9	12	—	
	7	9	9	15	—	
	7	9	9	18	—	
	7	9	12	12	—	
	7	12	12	12	—	
	9	9	9	9	—	
	9	9	9	12	—	
	9	9	12	12	—	
	9	9	12	15	—	
	9	9	12	18	—	
	9	12	12	12	—	
	12	12	12	12	—	
12	12	12	15	—		
(1x5)	7	7	7	7	7	
	7	7	7	7	9	
	7	7	7	7	12	
	7	7	7	7	9	
	7	7	7	9	12	
	7	7	7	9	15	
	7	7	7	12	12	
	7	7	7	12	15	
	7	7	9	9	9	
	7	7	9	9	12	
	7	7	9	9	15	
	7	7	9	9	18	
	7	7	9	9	24	
	7	7	9	9	24	
	7	9	9	9	9	
	7	9	9	9	12	
	7	9	9	9	15	
	7	9	9	9	18	
	7	9	9	9	24	
	7	9	9	9	24	
	9	9	9	9	9	
	9	9	9	9	12	
	9	9	9	9	12	

EXAMPLE

1 : 3 CONNECTION
 Outdoor Unit: 3U19FS1ERA
 Indoor Unit 1: AS07NS3HRA
 Indoor Unit 2: AS09NS3HRA
 Indoor Unit 3: AS12NS3HRA

1 : 2 CONNECTION
 Outdoor Unit: 3U24FS1ERA
 Indoor Unit 1: AS09NS3HRA
 Indoor Unit 2: AD18MS1ERA

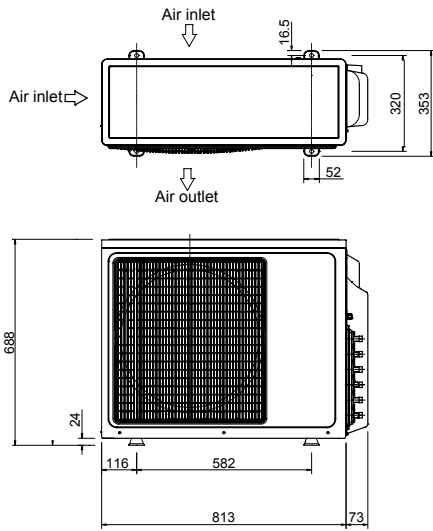
Match Guide: Connectible indoor units correspond to model number sizes based on BTU. I.E. 9 = 2.5 KW and so on.

To be used as a guide, please contact our sales representative for connections outside this matching matrix.

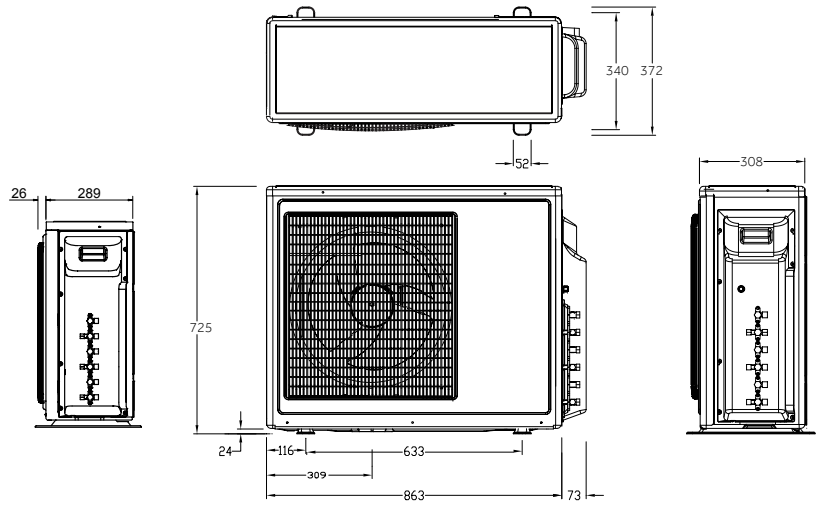
DRAWINGS

OUTDOOR UNITS

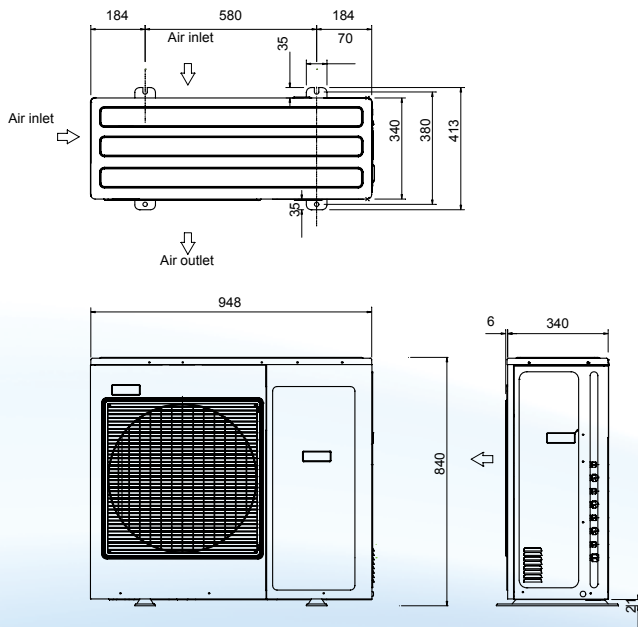
3U19FS2ERA



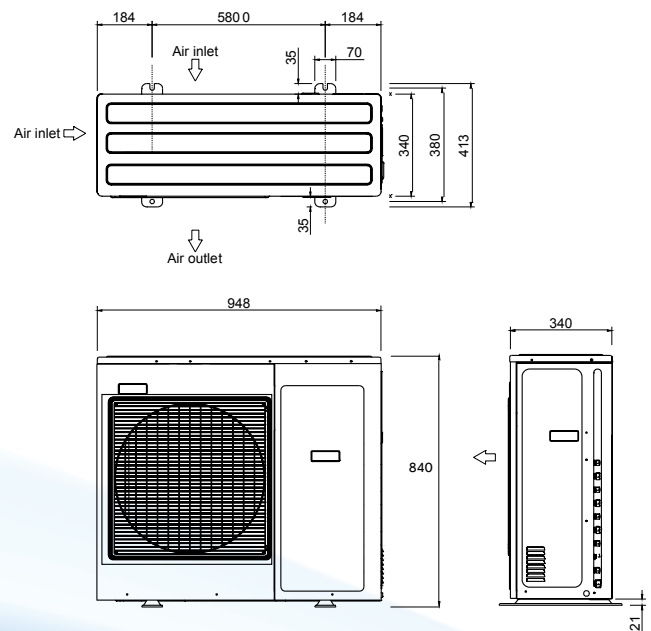
3U24GS2ERA



4U30HS2ERA



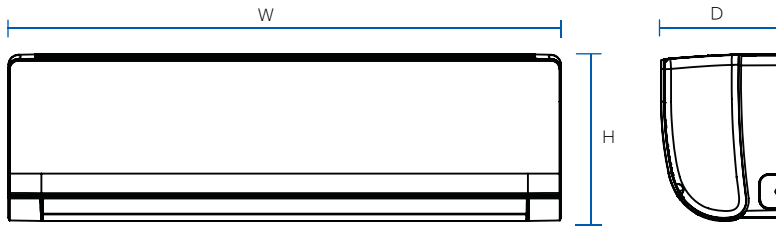
5U34HS2ERA



DRAWINGS

INDOOR UNITS

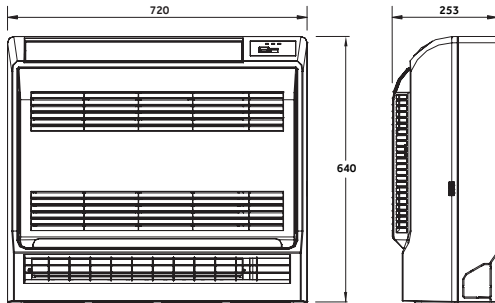
WALL MOUNTED



MODEL	(WxDxH)
AS07NS3HRA	855x204x280
AS09NS3HRA	
AS12NS3HRA	
AS15NS3HRA	900x210x310
AS18NS3HRA	997x235x322
AS24NS3HRA	1115x248x336

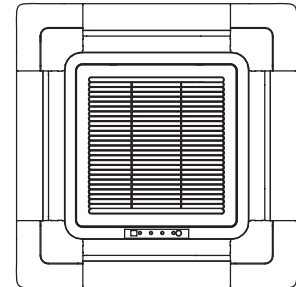
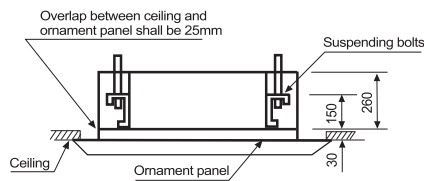
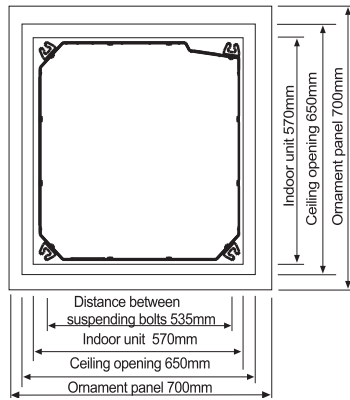
CONSOLE

AF09AB1HRA AF12AB1HRA

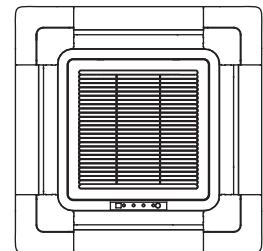
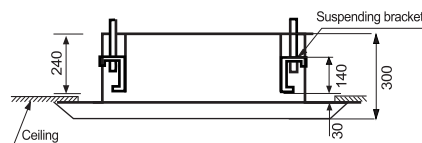
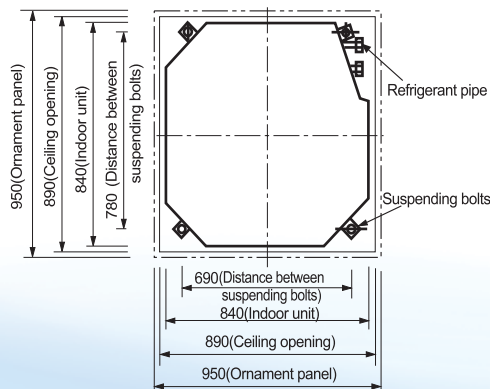


CASSETTE

AB09CS2ERA AB12CS2ERA(S) AB18CS2ERA(S)

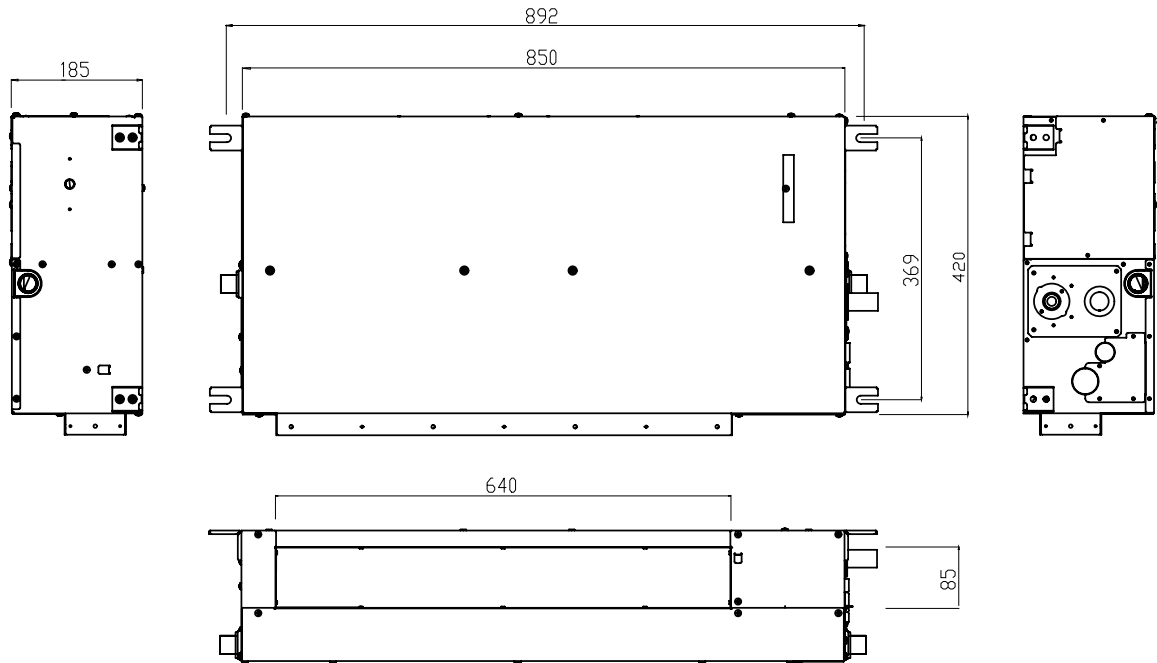


AB24ES1ERA(S)

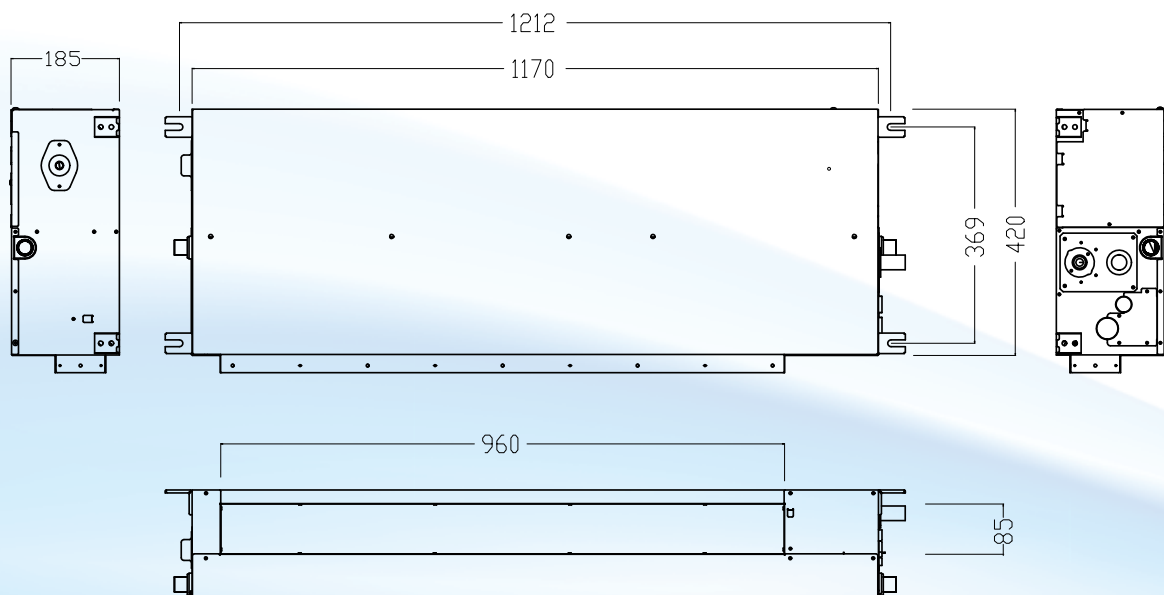


DRAWINGS

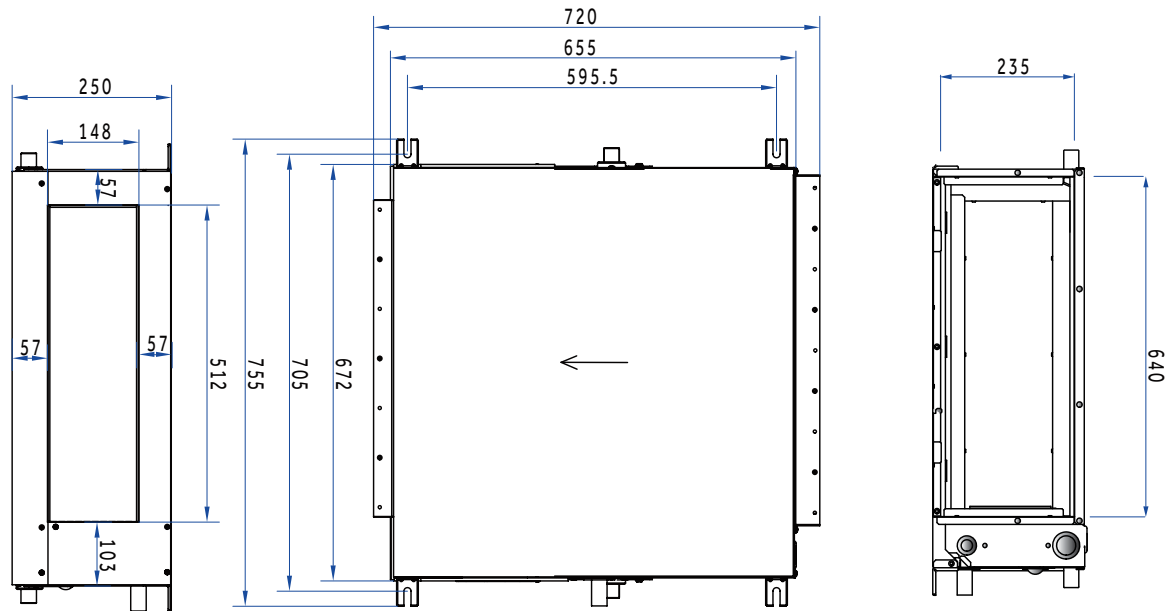
DUCTED LOW STATIC AD09SS1ERA AD12SS1ERA



AD18SS1ERA AD24SS1ERA

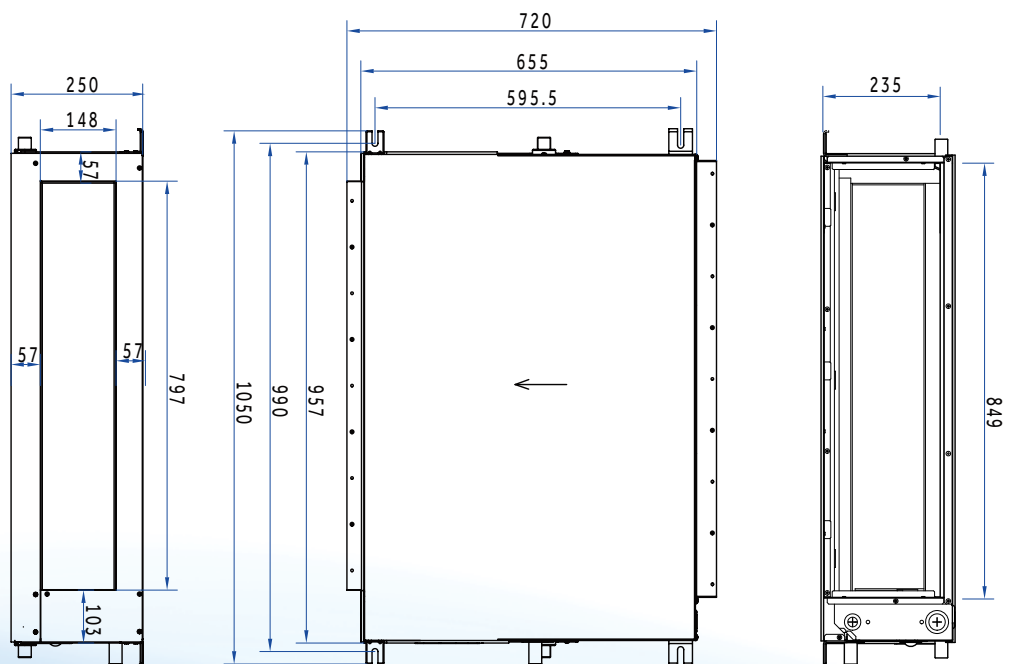


DUCTED MEDIUM STATIC AD12MS1ERA



Note: The insulation is not included in the thickness data.

AD18MS1ERA AD24S1ERA



Note: The insulation isn't included in the thickness data.

CONTROL SYSTEMS

YR-HD

- On/Off, Mode, Fan speed, Temperature setting, Swing
- Individual control
- Timer
- Clock



(Part H0010401511)

YR-E17

- On/Off, Mode, Fan speed, Temperature setting, Swing.
- Individual & Group control (Max 16 indoor units)
- Small, Simple and Smart design, 86*86*13.05mm
- Touch screen with back light
- Timer - 24 hr.
- Individual blade control for Smart Power Cassette



YR-E16A

- Seven day time clock
- On/Off, Mode, Fan speed, Temperature setting, Swing
- Individual & Group control (Max 16 indoor units)
- Large touch buttons
- Fahrenheit/ Celsius selectable; Sensitivity $\pm 0.5^{\circ}\text{C}$
- Individual blade control for Smart Power Cassette
- Error display in date sequence



KZW-W001

- Wi-Fi Control for Ducted or Cassette
- Unit control via Android or apple smart-phone device
- Weekly timer
- A YCJ-A002 is required for AB24ES1ERA(S) .



KZW-W002

- USB Wi-Fi Control (Hi-Wall unit).
- Easy to install via a USB connector.
- Unit control via Android or Apple smart-phone device



RE-02

- Infrared receiver control for ducted type indoor unit.
- Compatible with YR-HD



CENTRAL CONTROL SYSTEMS

YCZ-G001

- Individual control, Group control and central control (Max 32 indoor units)
- Large touch key
- Weekly timer.
- Unit name and group name free setting. Four backgrounds available (mall, hotel, office, home)
- Error display



YCZ-A004

- Central control, Max 256 indoor units
- 7-inch TFT LCD touch screen with back light
- Schedule control
- Indoor units' information edit



YCJ-A002

- Change Super Match communication protocol to 485 communication protocol for central control ,
- For Wi-Fi control connection to some super match indoor units.
- Two indoor unit operation for comms room application.





For Haier Appliances

Australia 1300 729 948 | haier.com.au

New Zealand 0800 424 372 | haier.co.nz

Haier
Air Conditioning

Important notice of Disclosure: Copyright © Fisher & Paykel Appliances 2019. All rights reserved.

The product dimensions and specifications in this brochure apply to the specific products and models described at the date of issue. Under our policy of continuous product improvement, these dimensions and specifications may change at any time. You should therefore check with your dealer or Haier's Customer Care Centre to ensure this flyer correctly describes the products currently available.

Fisher & Paykel Australia Pty Ltd, Level 1, 1 Eden Park Drive, Macquarie Park, NSW 2113.
Phone Customer Care: 1300 729 948 Email: customer.care@haier.com.au

Fisher & Paykel Appliances Ltd, 78 Springs Road, East Tamaki, Auckland 2013.
Phone Customer Care: 0800 424 372. Email: customer.care@haier.co.nz